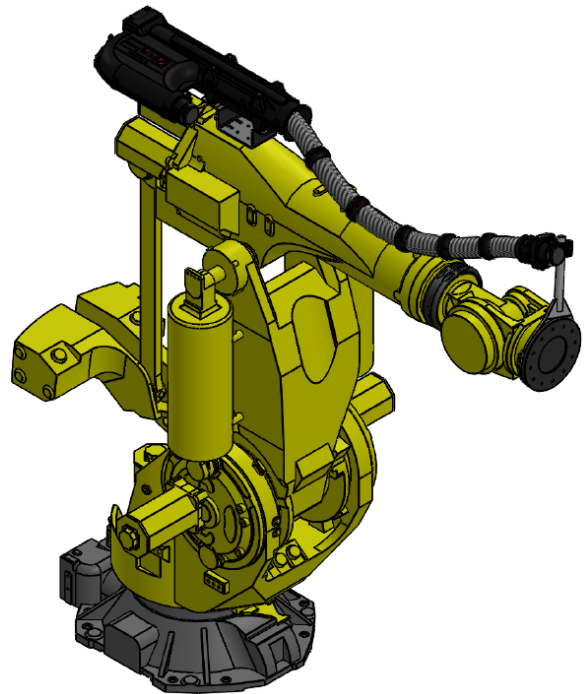
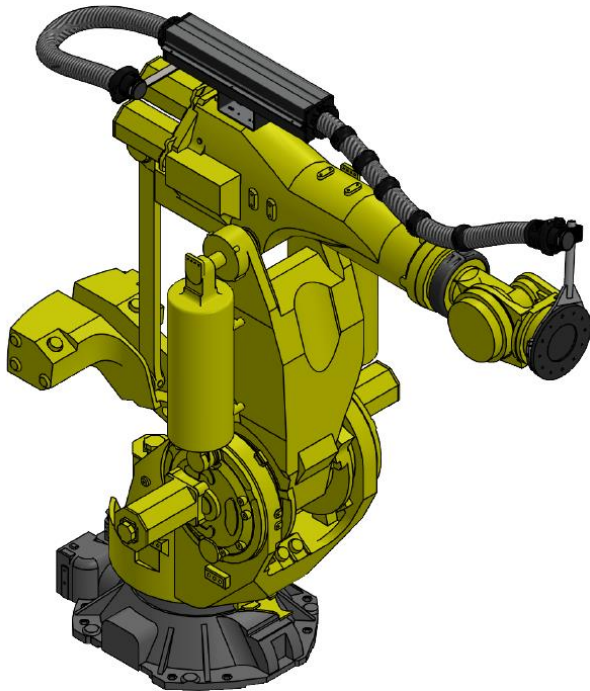


Murrplastik M900iB/700 Dress Kits


Part Number:

12.70.220.01

12.70.320.01

Description:

Complete cable management system for A3-A6 Fanuc M900iB/700. Featuring Murrplastik 550 TecLiner for size 70 conduit.

Complete cable management system for A3-A6 Fanuc M900iB/700. Featuring Murrplastik TecBox for size 70 conduit.

Specifications:

Retraction System Stroke: 550mm
 Spring Tension: 200N
 Conduit (ID/OD): Ø64mm / Ø80.3mm
 Conduit Bend Radius: 115mm
 A6 Joint: 30mm ext. / 20° pivot

Retraction System Stroke: 600mm
 Spring Tension: 200N
 Conduit (ID/OD): Ø64mm / Ø80.3mm
 Conduit Bend Radius: 115mm
 A6 Joint: 30mm ext. / 20° pivot

Additions (Not Included in Kit):

Strike Guard: PN: 83691267

Conduit Repair Protector: PN: 83691069

Telescopic Joint (A6 Joint): 83692480

Robot Grease (1kg): PN: 83980235

Strain Relief (Recommended use at both A3 & A6)

- Integrated Strain Relief – PN: 83692266
- Blank – PN: 83692804
- Cable Clamp – PN:83721024 (recommended use with 83692804)
- Customized waterjet strain relief are available upon request
- All dress kits are sold with two blank strain relief (83692804)

Cable & Hose Population

- Murrplastik offers custom engineered dress package population upon request.